

NBN CONDUIT SCHEDULE - CIVIL CONTRACTOR

CODE	ITEM	Refer: AS/NZS 1477:2006 - Table 4.2(A)		QUANTITY (metres)	
		WALL THICKNESS	MEAN OUTSIDE DIA.		MEAN INSIDE DIA.
P20	SDU service drop	PN12	27mm	24mm	-
P50	MDU service drop	PN12	60mm	54mm	-
P50	road crossing	PN12	60mm	54mm	131
P100	road crossing	PN9	114mm	104mm	21
P100	footpath conduits adj. retaining walls	PN9	114mm	104mm	-
Additional trenching					-

NBN CONDUIT SCHEDULE - ELECTRICAL CONTRACTOR

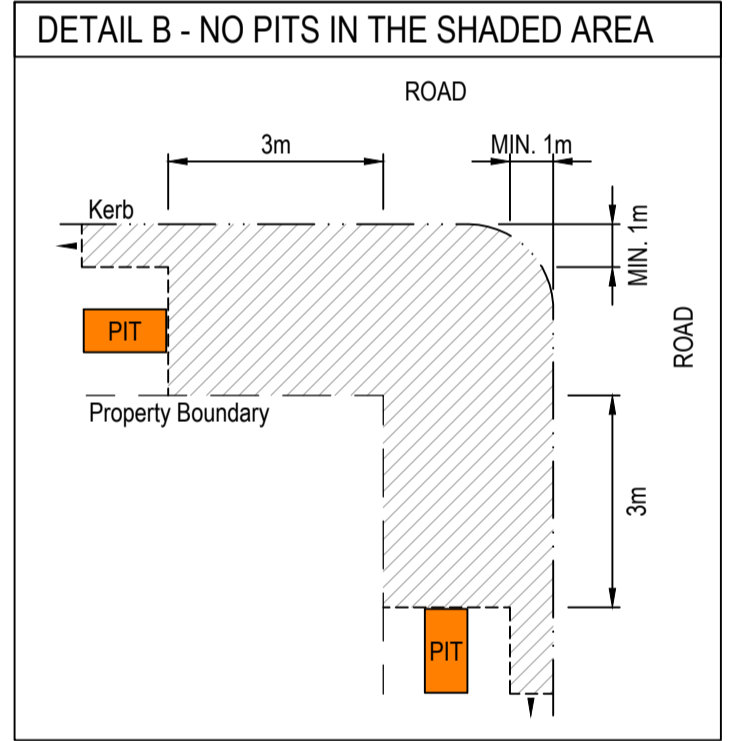
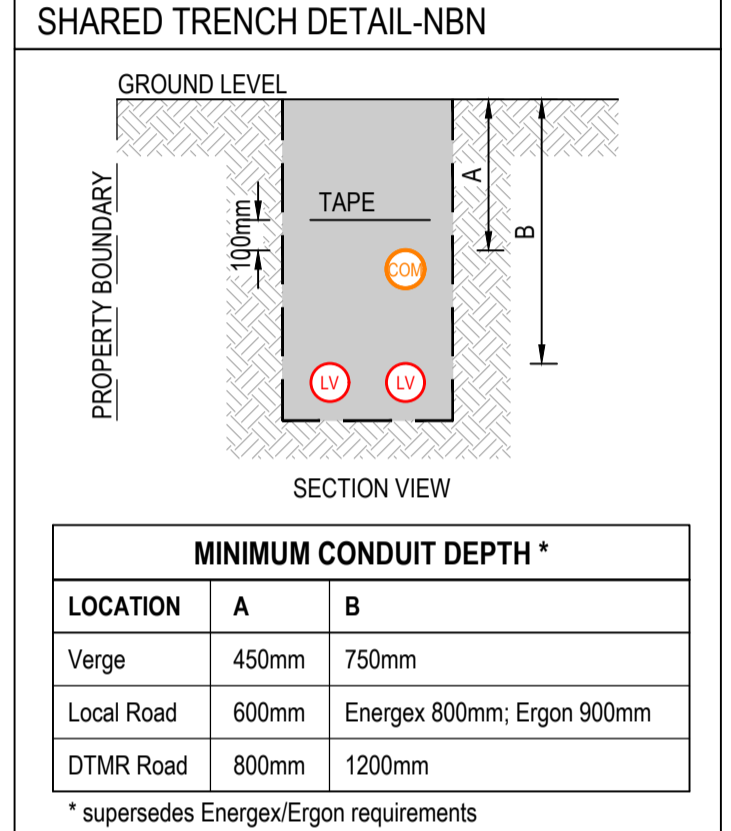
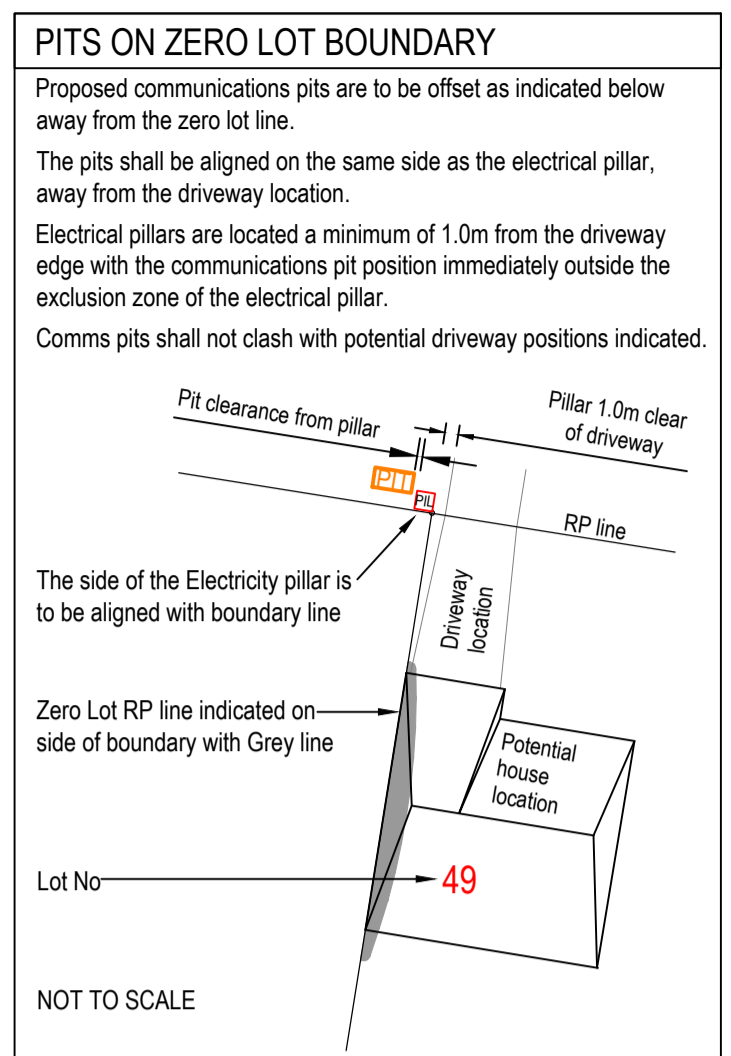
CODE	ITEM	Refer: AS/NZS 1477:2006 - Table 4.2(A)		QUANTITY (metres)	
		WALL THICKNESS	MEAN OUTSIDE DIA.		MEAN INSIDE DIA.
P20	SDU service drop	PN12	27mm	24mm	176
P50	MDU service drop	PN12	60mm	54mm	-
P50	footpath	PN12	60mm	54mm	28
P100	footpath	PN9	114mm	104mm	310
P100	distribution network	PN9	114mm	104mm	-
Additional trenching					13

NBN PIT SCHEDULE - ELECTRICAL CONTRACTOR

PIT CODE	ITEM	NOMINAL EXTERNAL DIMENSIONS	QUANTITY
2	service drop access pit	650 x 280 x 565mm	8
5	service/boundary pit (single lid)	700 x 450 x 650mm	11
6	local network connection pit (dual lid)	1360 x 555 x 650mm	1
8	distribution/local network connection pit (dual lid)	1360 x 555 x 860mm	-

SOURCE DOCUMENTS

CREATOR	DRAWING	DWG. NO.	REV. NO.	DATE
ROBIN RUSSELL & ASSOCIATES	ELECTRICAL	F064	A	26/10/2022
COLLIERS	CIVIL	21-0265_X_BASE_DESIGN	-	21/10/2022
COLLIERS	CIVIL	X_BASE_DESIGN STG 7-10	-	19/10/2022



- ### LEGEND: NBN CONDUITS & PITS
- Fibre Access Node (FAN) site
 - Fibre Distribution Hub (FDH) site - 1m x 1m
 - Proposed 100mm Main Conduit
 - Proposed 50mm Lateral Conduit
 - Proposed 23mm Service Drop
 - Proposed length of bored conduit
 - Conduits by Civil Contractor
 - Proposed shared trench
 - Service Drop Access Pit
 - Local Network Pit Premises Connection (Houses an MPT)
 - Boundary Pit Cross-Road & Other Premises Connection (No MPT)
 - Local Network Connection Pit Premises Connection & Fibre Splice Closure
 - Distribution / Local Network Connection Pit at entry/exit to estate; @ 250m ccs on distribution conduit
 - Fibre Distribution Hub (FDH) Pit Within 5m of FDH Site
 - Multi Dwelling Unit (MDU)
 - Marker Post (Post to be numbered)
 - Depth over alignment indicator (used with every Marker Post)
 - Descriptor Box (Description of type of work & Quantity involved)
 - Transformer Pad Mount / Pole Mount
 - Existing Telstra conduit trench layout (Proposed conduit indicated for comms cable)
 - Existing NBN 100mm conduit
 - Existing Telstra P100 conduit
 - Existing or proposed Energex pole (& pole ID)
 - Existing Telstra Exchange
 - Existing Telstra Pits (size 2,3,4,5,6,7,8 or 9)
 - Existing Telstra Manholes (Access Chambers)
 - Existing Traffic Signals Box
 - Existing network item to be removed/replaced
 - 'C' communications marker plate

'AS CONSTRUCTED' DOCUMENTS

The electrical contractor shall email the "as constructed" drawing, test results & closure documents to:

- asconstructed@robus.com.au

'AS CONSTRUCTED' CERTIFICATION

I certify as follows:

The installation of NBN conduits and pits has been completed in accordance with this drawing & NBN specification NBN-TE-CTO-194, subject to any changes marked up in red. Mandrel testing of all conduits has been performed as detailed on the attached Mandrel Test Report.

The minimum depths of conduits are as specified, except as marked up in red.

signature of certifier: _____
 name of authorised certifier: _____
 date of certification: _____
 name of company: _____
 certifier's position: _____

CONSTRUCTION CONTACTS

ELECTRICAL ENGINEER
 ROBIN RUSSELL & ASSOCIATES PTY LTD
 ELECTRICAL DESIGNER
 WILLIAM SCHARDT - 0419 778 552
 COMMS CONDUIT DESIGNER
 SHANE MILLS - 07 5353 4660
 CONSTRUCTION COORDINATOR
 SHANE HYDE - 0419 021 772

CIVIL ENGINEER
 PEAK URBAN
 ALEX COOSTHUIZEN Ph: 0482 161 901

SURVEYOR
 SAUNDERS HAVILL GROUP
 CLINTON URQUHART Ph: 0412 974 472

ORIGINAL ISSUE

NOTES - NBN

NBN conduits and pits shall be installed in compliance with NBN Co specification: NBN-TE-CTO-194 V 10.0 *New Developments: Deployment of the NBN Co Conduit and Pit Network - Guidelines for Developers*. This can be downloaded at: <http://www.nbnco.com.au/develop-or-plan-with-the-nbn/new-developments/design-build-install/pit-and-pipe-build-process.html>

Additional requirements and explanatory information are contained in Robin Russell & Associates' *General Specification for Installation of Electricity Reticulation and Street Lighting - Issue 'AA'*.

For details of trenching and electrical conduits, refer associated RRA works plan.

In residential subdivisions, NBN conduits shall be laid in shared trenches, above electricity conduits. The Civil Contractor shall install road-crossing conduits and other conduits as shown (see legend).

In commercial subdivisions, or where no electricity conduit is present, NBN conduits shall be laid on the standard telecommunications alignment, as specified.

On State roads, the required cover of 1200mm precludes the use of shared trenches.

The installation of white warning tape is NOT required. If conduit is not installed in a shared trench with electricity, brass "C" markers shall be installed in the kerbs directly above road-crossing conduits.

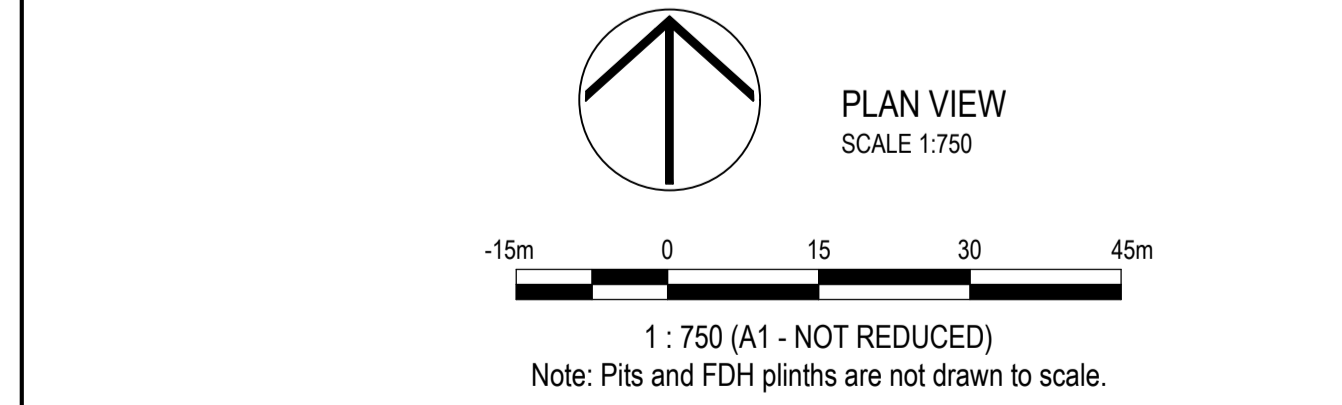
Contractors shall not access existing Telstra pits or conduits.

Pits shall be installed relative to the property boundary as shown, immediately outside the exclusion zone of the electricity pillar. The Electrical Contractor shall ascertain final verge levels from the Civil Contractor before installing conduits & pits.

The Electrical Contractor shall give the Superintendent written notice (a) 10 business days before it anticipates achieving Practical Completion of the conduit and pit installation, and (b) on achieving Practical Completion, to allow the required notices to be given to NBN Co.

Conduit lengths are nominal horizontal distances only. Fibre lengths shall be verified in advance by actual measurement.

The electrical contractor shall perform mandrel testing of all telecommunications conduits, including cross-road and lead-in conduits installed by the civil contractor.



- Telecommunications infrastructure will be provided by NBN™
- NBN™ will own the conduits and pits.
- This installation shall comply with NBN-TE-CTO-194 V10.0

SITE INFORMATION

TOTAL NUMBER OF LOTS	38
PROPERTY DESCRIPTION	Proposed Lots 272 - 273, 292 - 306, 310 - 320 & 446 - 454 Cancelling Lot 2 on RP196150, Lot 1 on RP196152, Lot 2 on RP196154 & Lots 342-344 on S3173

NBN PITS
 NBN PITS MUST BE INSTALLED IMMEDIATELY OUTSIDE THE EXCLUSION ZONE (ERGON 400mm & ENERGEX 600mm) OF THE ELECTRICITY PILLAR & EXACTLY 3m FROM CORNER TRUNCATIONS AS PER DETAIL B.

DATE	REV	REVISION	APP.	DATE	REV	REVISION	APP.	CURRENT REVISION CHANGES:
29/10/2022	A	INITIAL ISSUE	RR					

Robin Russell & Associates Pty. Ltd.
 CONSULTING ENGINEERS - ELECTRICAL

SUBDIVISION ELECTRICAL SERVICES
 204/5 Sebring Street, Stafford, QLD 4053
 Tel: (07) 3872 5556
 Fax: (07) 3872 5566
 Email: info@robus.com.au
www.robus.com.au
 A.B.N. 78 010 589 661

COUNCIL	IPSWICH CITY	DESIGNED	SHANE MILLS	DESCRIPTION
COUNCIL REF	9332/2019/POA	DRAWN	K.R.	TELECOMMUNICATION
UBD REF	Map Gnd	CHECKED	K.R.	
DWT REV	V48 20210504	APPROVED BY	ROBIN RUSSELL RPEQ 1546	CLIENT
DATE	29/10/2022	SIGNED	<i>Robin Russell</i>	HB Doncaster Pty Ltd

LOCATION
BELLEVUE ESTATE - STAGE 10
323-395 RIPLEY ROAD
RIPLEY, 4306

THIS DOCUMENT IS COPYRIGHT AND THE PROPERTY OF ROBIN RUSSELL & ASSOCIATES PTY LTD AND MUST NOT BE RETAINED, COPIED OR USED WITHOUT AUTHORITY.

DRAWING No.
F064-N-01A

NBN ID REQUEST No./TELSTRA AFR SHEET No.
 STG-M000119579 1 OF 1